



# VOLUTA

Voluta is a classic stove, rectangular in shape, that can be inserted in any environment. It is inspired by periods of great decorative impact, such as Liberty or Decò.

It is equipped with a 'Gran Fuoco' door and a large combustion chamber for greater performance and autonomy.

It can be equipped with a CARTER FOR EXTERNAL AIR INTAKE. It is available in the THERMO-STOVE VERSION in the size 2.

# MODELS AND SIZES

CLASSICHE WOOD



1



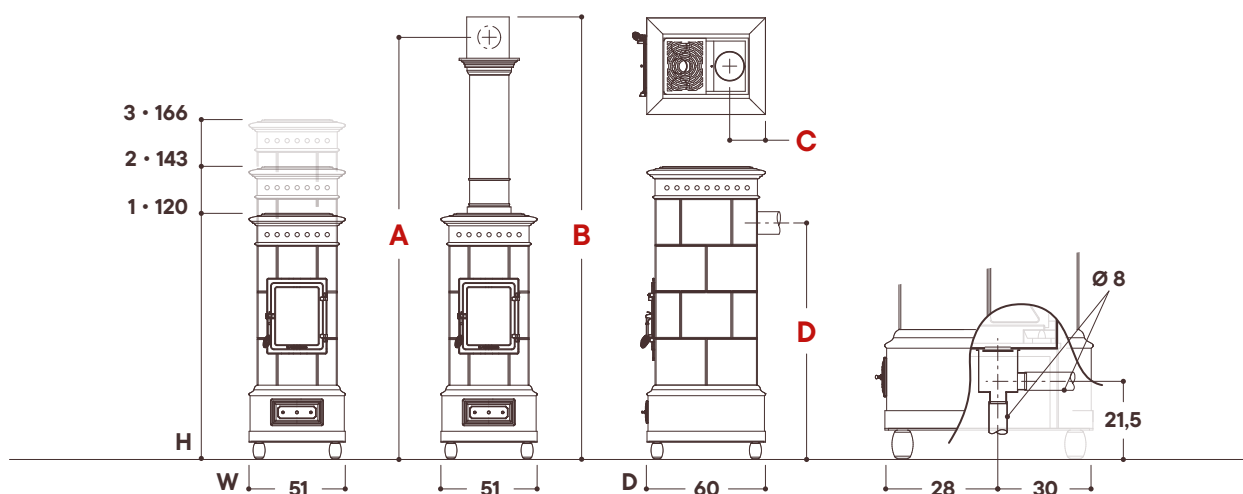
2



3

# INSTALLATION

Measurements in **cm**



CLASSICHE WOOD

SIZE			1	2	3
With Ceramic Column h 90 cm	A	cm	233	256	280
	B	cm	245	268	292
With Ceramic Column h 80 cm	A	cm	222	246	269
	B	cm	234	258	281
	C	cm	20	20	20
	D	cm	NO	116	139

## CLEARANCES FROM FLAMMABLE MATERIALS

**Side:** 40 cm  
**Rear:** 20 cm  
**Front** (combustion chamber door): 150 cm

## INSTALLATION NOTES

- » The installations must be made in accordance with UNI 10683 (in Italy) or according to the regulations in force in the country where the stove is installed.
- » In the case of a rear smoke outlet with exposed pipe and flammable material near the stove, it is essential to use a double-walled pipe at least 10 cm away from all flammables.

## CERTIFICATIONS

CE UNI EN-13240



15a B-VG

BlmSchV 2

# TECHNICAL DATA

SIZE		1	2	3
Heat Output *	<i>kW</i>	7,5	7,5	10,5
Min-Max Heat Output	<i>kW</i>	4 - 9	4 - 9	5 - 12
Heating Capacity	<i>m<sup>3</sup></i>	100 - 260	100 - 260	140 - 340
Efficiency	%	81	81	82
Carbon Monoxide Emission · % Co 13% O <sub>2</sub>	%	0,1	0,1	0,17
Dust · 13% O <sub>2</sub>	<i>mg/Nm<sup>3</sup></i>	24	24	-
Wood Consumption	<i>Kg/h</i>	2,2	2,2	3
Smoke Temperature	<i>°C</i>	204	204	196
Flue Pipe Diameter	<i>cm</i>	15	15	15
Draft	<i>Pa</i>	11	11	11
Total Weight	<i>Kg</i>	300	330	360
Ceramic Column Weight	<i>Kg</i>	25	25	25
Measurements (w x d x h)	<i>cm</i>	51 x 60 x 120	51 x 60 x 143	51 x 60 x 166
Energy Efficiency		A +	A +	A +

\* Complies UNI EN-13240, DEUTSCHLAND BImSchV 2

# TECHNICAL DATA WITH CATALYTIC FILTER

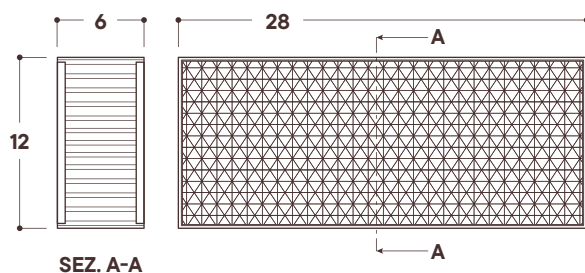
SIZE		1	2	3
Heat Output *	<i>kW</i>	6,5	7	7,5
Efficiency	%	88,5	88	88
Carbon Monoxide Emission · % Co 13% O <sub>2</sub>	%	0,0281	0,0281	0,0265
Dust · 13% O <sub>2</sub>	<i>mg/Nm<sup>3</sup></i>	10	10	9,4
Wood Consumption	<i>Kg/h</i>	1,805	1,903	2,024
Smoke Temperature	<i>°C</i>	178,1	171,1	164,1
Flue Pipe Diameter	<i>cm</i>	15	15	15
Draft	<i>Pa</i>	10	10	10
Total Weight	<i>Kg</i>	300	330	360
Ceramic Column Weight	<i>Kg</i>	25	25	25
Measurements (w x d x h)	<i>cm</i>	51 x 60 x 120	51 x 60 x 143	51 x 60 x 166
Energy Efficiency		A +	A +	A +

\* Complies UNI EN-13240, DEUTSCHLAND BImSchV 2

The stove can have higher performances, in terms of kW, up to a maximum heatable volume of 340 m<sup>3</sup>, in the largest size, with medium insulation.

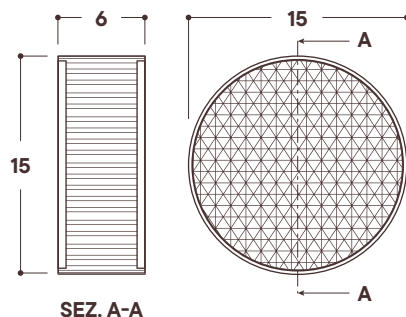
# FILTER DATA SHEET

Measurements in **cm**



## CODE: CAT 27/12-6

Description: catalytic converter  
 Shape: parallelepiped  
 Measurements (w x d x h): 28 x 12 x 6 cm  
 Material: refractory steel with impregnation  
 Operating temperature: -20 °C / + 800 °C  
 Melting temperature: 1400 °C



## CODE: CAT 15/60

Description: catalytic converter  
 Shape: round  
 Measurements (d x h): 15 x 6 cm  
 Material: refractory steel with impregnation  
 Operating temperature: -20 °C / + 800 °C  
 Melting temperature: 1400 °C

CLASSICHE WOOD

# CATALYTIC FILTER POSITION

Measurements in **cm**

